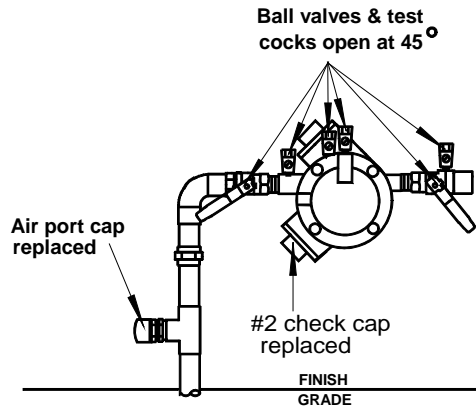
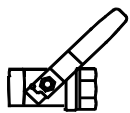


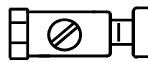
Step 4. Valve and Test Cock Winter Positions



1. Leave the interior drain open over winter.
2. Leave both ball valves and all four test cocks open at 45 degrees.
3. Replace the air injection-fitting cap.
4. Tighten relief cover bolts.
5. Tighten #2 check cap.



**Ball Valve
open at 45°**



**Test Cock
open at 45°**

This pamphlet is designed to be a guide to help prevent damage to backflow prevention assemblies due to winterization techniques and practices. The Town of Castle Rock and CBPA cannot be responsible for any damage that may occur to any backflow prevention assembly, irrigation system, plumbing system or component thereof as a result of using these guidelines.

Colorado Backflow Prevention Association

Visit us: www.backflow.org

Contact us: info@backflow.org

Or visit the
American Backflow Prevention Association

www.abpa.org

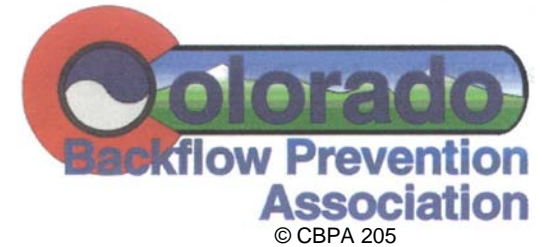
This brochure provided to the residents of the **Town of Castle Rock** with assistance from the **Colorado Backflow Prevention Association**



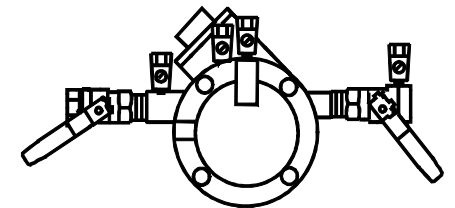
Utilities Department
175 Kellogg Court
Castle Rock, CO 80109
720-733-6000

www.CRgov.com/utilities

© CBPA 2005

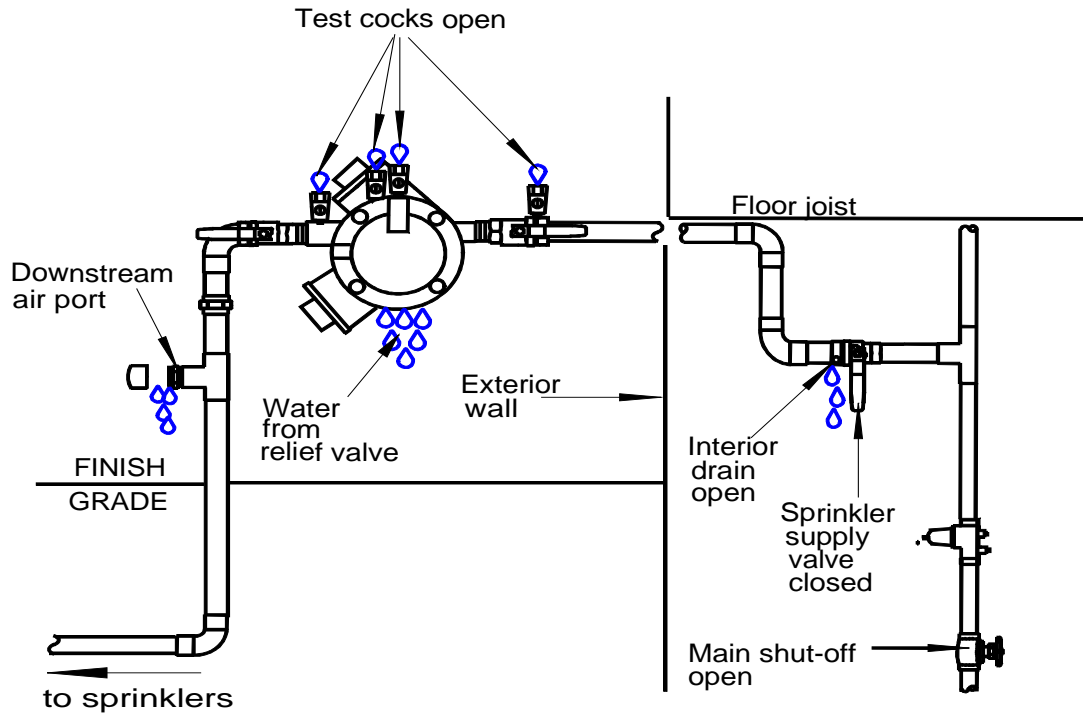


Winterizing Residential Irrigation Backflow Prevention Assemblies



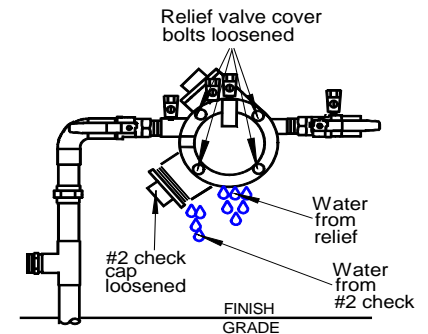
Reduced Pressure Assembly

Step 1. Shut off Water & Drain RP



1. Tightly close the sprinkler supply valve.
2. Open the interior supply drain; this may be a ball valve with drain or a boiler drain.
3. Do not close the main shut-off valve. Closing this will shut off the water to the house.
4. Maintain ball valves in open position.
5. Open all four test cocks. Some water will drain from relief valve.
6. Remove cap from downstream air port.
7. Allow water to drain from RP and piping.

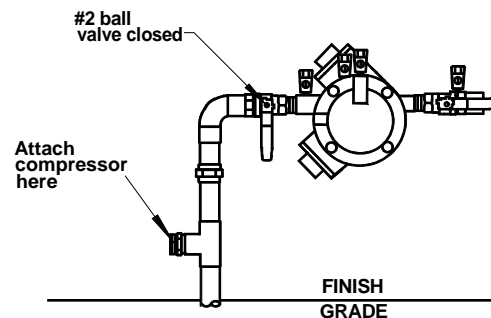
Step 2. Drain Relief Valve and #2 Check



1. With all ball valves, test cocks, and drains open, loosen bolts on relief valve cover until water drains. **Do not remove bolts.**
2. Loosen or remove #2 check cover until water drains.

NEVER INJECT AIR INTO A BACKFLOW ASSEMBLY!

Step 3. Attach Compressor & Purge Water from System



1. **CLOSE THE #2 BALL VALVE.**
2. Attach air compressor to downstream air port.
3. Set the first station on the sprinkler timer to "Run."
4. Turn on the air from the air compressor.
5. Using the sprinkler timer, run each zone until only air comes out of the heads.

Continued on Back