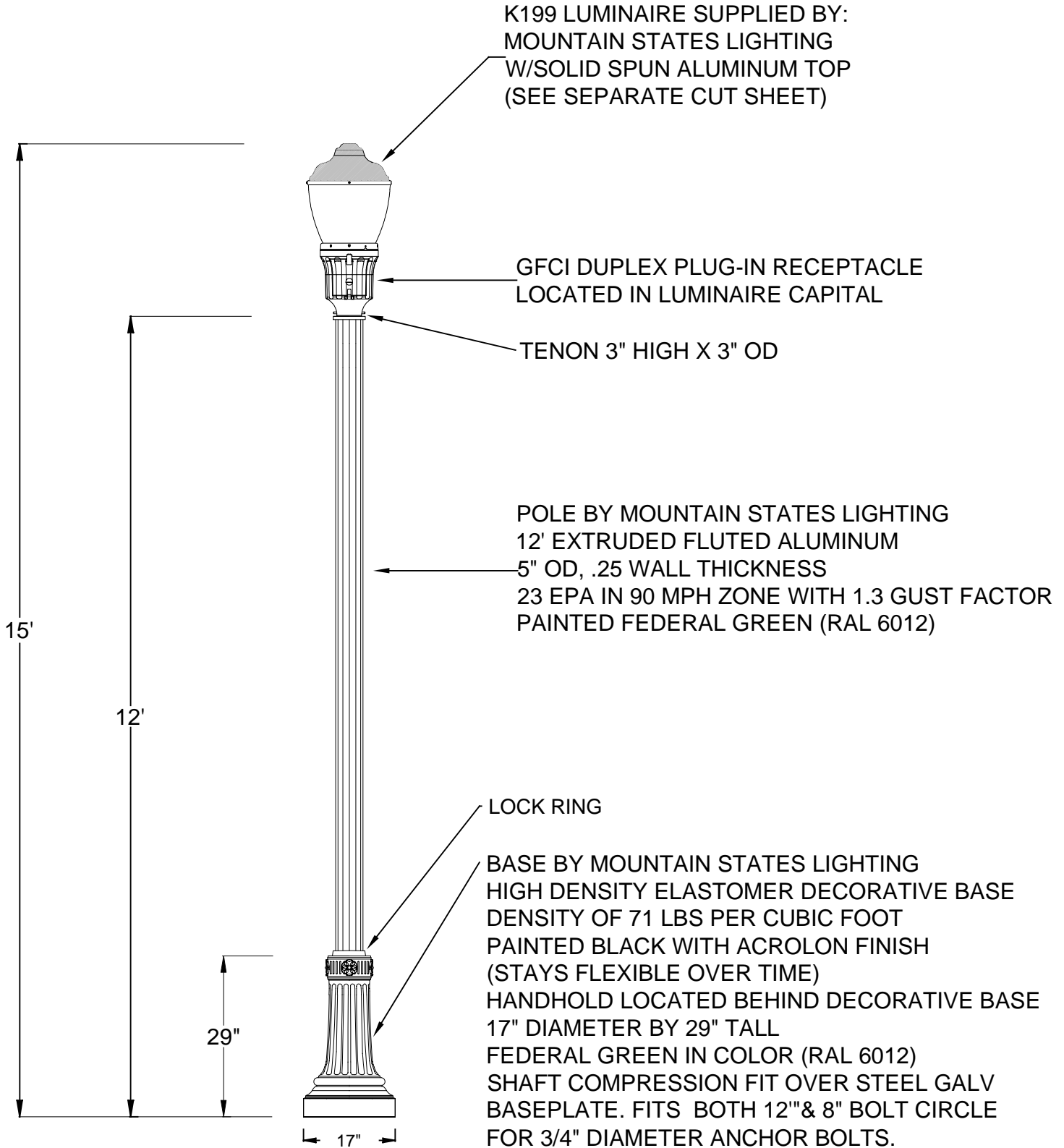


MSL PART#

12EFA-5/.250-TT/3X3-17X29"HMAD-LR-FG(6012)-K199-GFI



**Mountain States Lighting**  
P.O. Box 449  
Conifer, CO 80433  
Phone 303-838-4430  
Fax 303-838-4439

JOB NAME: <b>Castle Rock 12' Perry Strt Rdabout</b>			
SCALE: NTS	DATE: 4/2/21	DRAWN BY: PMP	DRAWING NUMBER: 12EFA-CR-17MAD/K199/SST/GF
CUSTOMER APPROVAL:			

REV.	ALTERATION	DATE	BY

LUMINAIRE SPECIFICATIONS

CATALOG NO.: K199R-P4AR-V-40(SSL)-1030  
-120:277-K24-SST-3K-GFI

QUANTITY:

OPTICAL OPTIONS: P4 OPTIC (FLAT ARRAY)

LENS OPTIONS: ACRYLIC RIPPLED

IES LTG. CLASS.: TYPE V

WATTAGE: 40W

SOURCE: SOLID STATE

SERIES: 1030

LINE VOLTAGE: 120:277V

CAPITAL: K24

PHOTO CONTROL OPTION: GFI RECEPTACLE & SST

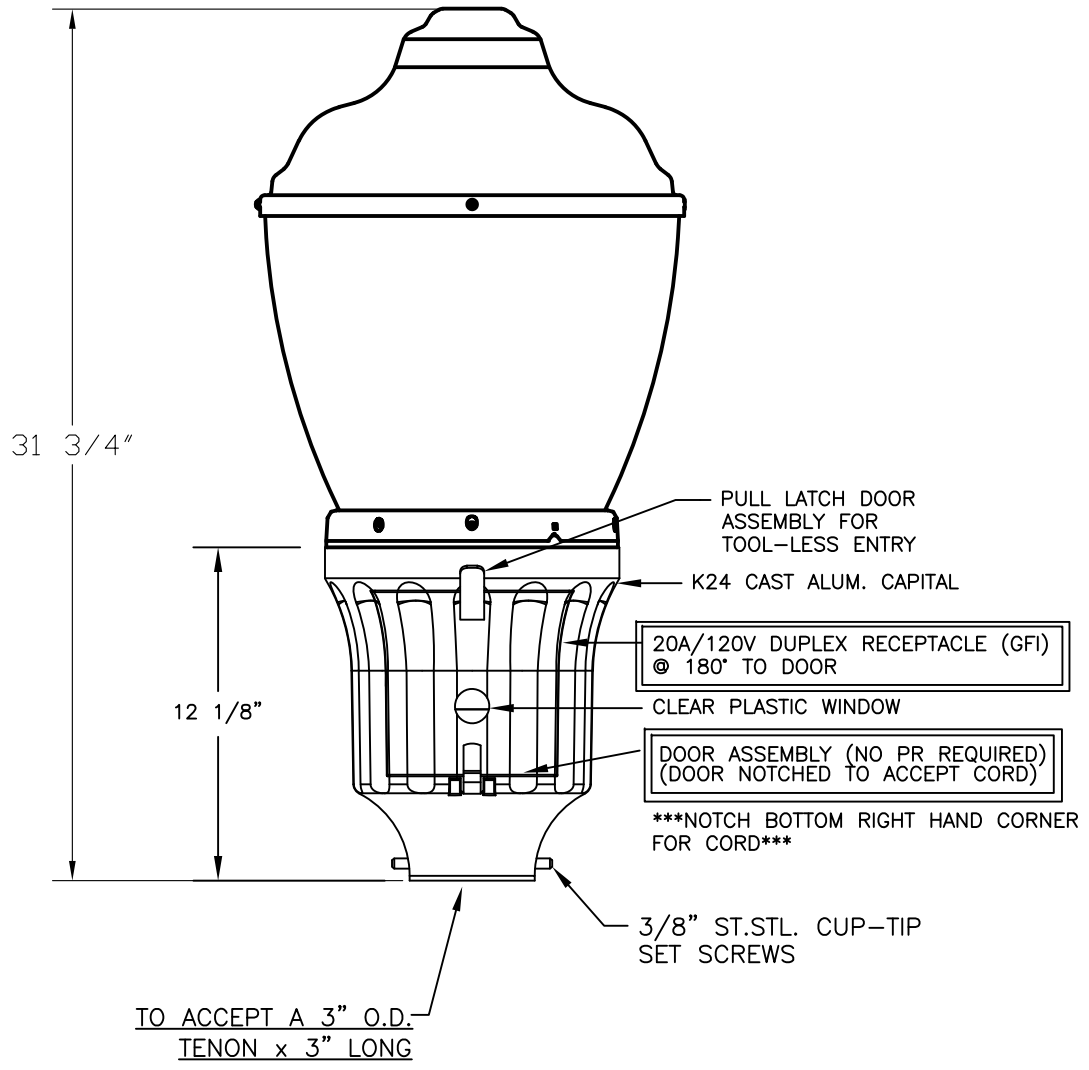
  

CCT: 3000K

PAINT COLOR: SMOOTH GREEN



OPTIONS

QUICK DISCONNECT



**Supplied by:**  
**Mountain States Lighting**  
**303-838-4430**

CUSTOMER APPROVAL & DATE: \_\_\_\_\_

  King Luminaire • StressCrete • Est. 1953 <b>S T R E S S C R E T E</b> <b>G R O U P</b>	<u>Manufacturing Locations:</u> Burlington, Ontario 1-800-268-7809 Northport, Alabama 1-800-435-6563 Atchison, Kansas 1-800-837-1024 Jefferson, Ohio 1-800-268-7809
--	---

CUSTOMER ORDER No:	PROJECT/CUSTOMER:				
	CASTLE ROCK, CO				
STRESSCRETE ORDER No:	DRAWN BY:	AT:	CHECKED BY:	DATE:	REVISION:
-	GR	SC1		04/01/21	
KING U.S. ORDER No:	DRAWING TYPE:			DRAWING NUMBER:	
	CONCEPT DWG.			Q-2012020-2	